



PAJ SYSTEMTEKNIK

DEVELOPMENT AND MANUFACTURING FOR DEMANDING COMPANIES

www.PAJ.dk

SMART SAFETY NET—THE SMARTER WAY TO DO SAFETY

With the safety communication module Smart Safety Net (short SSN) PAJ Systemteknik has developed a complete new safety concept.

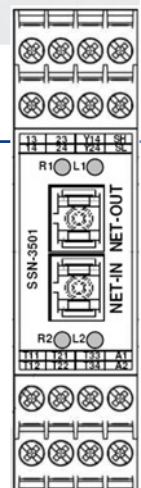
The SSN is a data bus which can be used in safety systems. The basic idea of the SSN is to link safety systems (safety relays) in an easy and safe way.



SSN - 3501

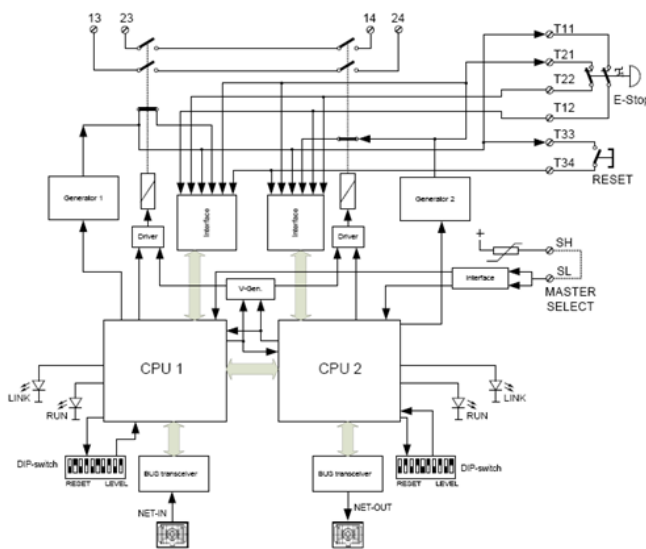
The SSN-3501 is the newest communication module in the SSN family and is characterized by:

- Compact and easy to install solution for safety applications
- Optical communication (fiber) - possibility for longer wiring distances between the SSN-modules
- Option: RS485 network cable connection
- Immune towards electronic noise
- 2 safety outputs
- Extended programming possibilities via DIP-switches

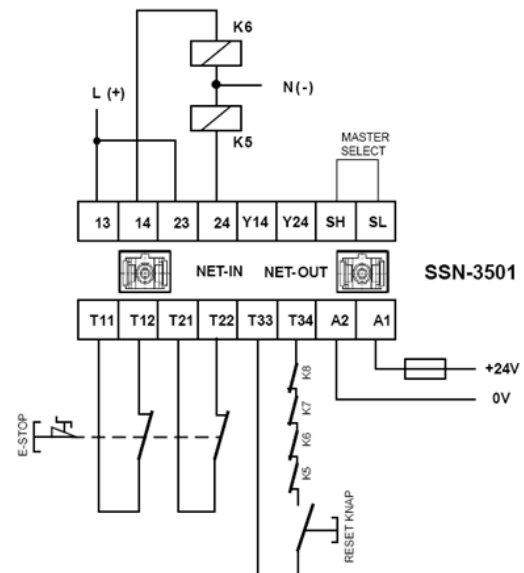




BLOCK DIAGRAM



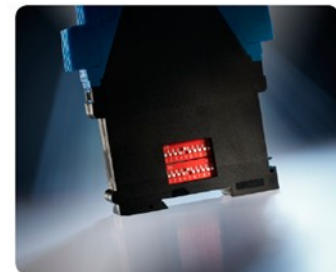
CONNECTION EXAMPLE



THE CONFIGURATION- 7 EASY STEPS

VIA DIP-SWITCHES

- 1: Configure which zone / group the SSN-module belongs to
- 2: Configure the reset type (local or global reset)
- 3: Configure the local / global STOP behavior
- 4: Configure which zone / group the SSN-module has to react on
- 5: Configure the reset mode (automatic, manual or monitored reset)
- 6: Snap the SSN-module to your DIN rail
- 7: Connect the SSN-module to the safety module and power supply



TECHNICAL DATA / SPECIFICATIONS

- Up to 4 zones can be configured
- No need for configuring software
- Easy to install
- Easy to extend
- Up to 25 units can be connected in the network
- It is possible to achieve a fiber cable length up to 1000 m between each unit
- Network connection: SC/SC 62,5 / 125 µm
- Baudrate at 0,5MB/s
- Response time of the SSN-system: < 85 ms
- Min. response time at nominal voltage: < 50 ms
- Manual monitored reset (local reset)
- Monitored reset (local reset)
- Automatic reset and network reset
- LED indication of power on and dynamic signals
- 2 transistor outputs for status indication
- Dual-channel structure of safety section
- Requirements for connected safety relay: Cut in < 250ms; cut out < 60ms
- International approvals by BG and cUL
- Fulfills the requirements in, EN 954-1 up to and including Cat 4, IEC 61508 up to and including SIL 3, EN 13849-1